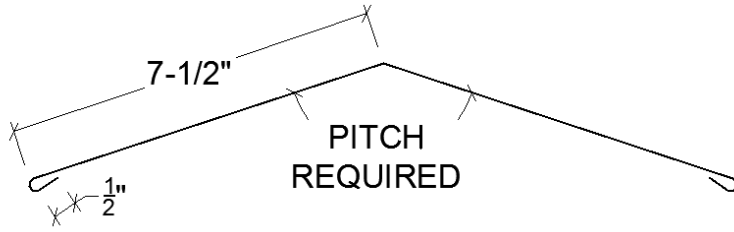
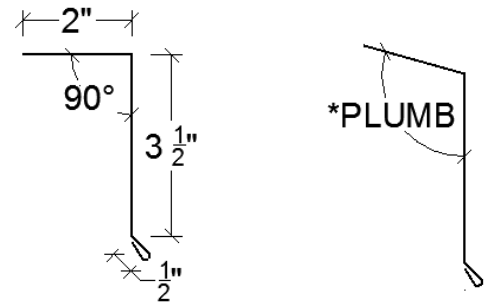


EZ SNAP ROOFING PROFILES, 10'-1" LENGTH

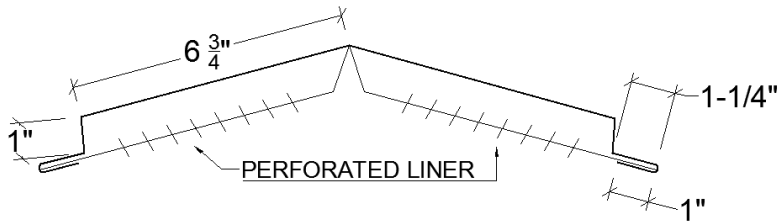
RIDGE CAP
roof pitch required



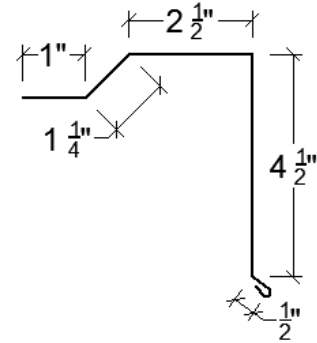
EAVE
* roof pitch required



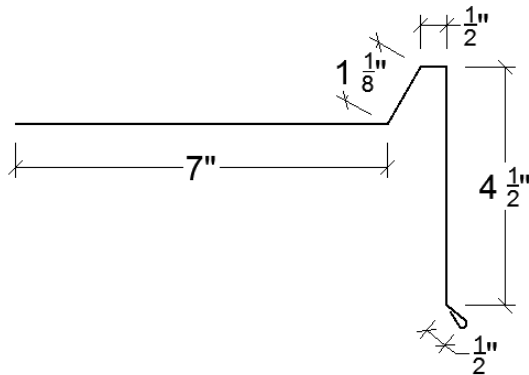
VENTED RIDGE CAP
roof pitch required



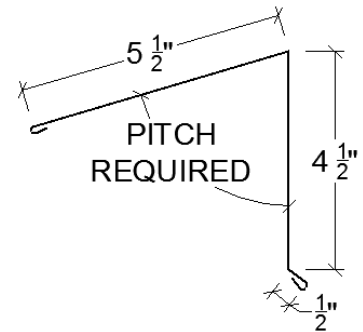
GABLE



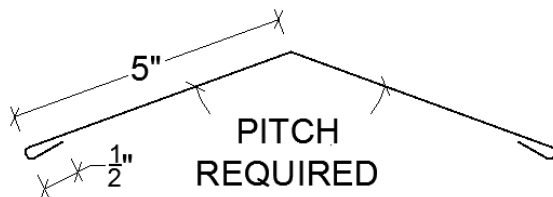
PROW



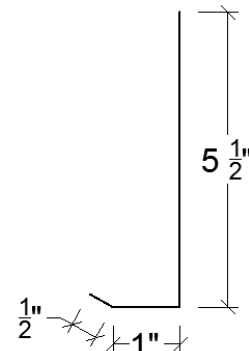
NOSE
roof pitch



HIP
roof pitch required



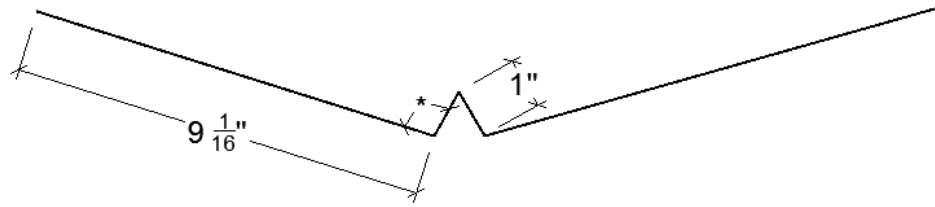
LOWER FASCIA



EZ SNAP ROOFING PROFILES, 10'-1" LENGTH

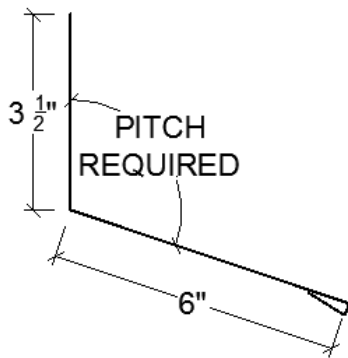
VALLEY

* roof pitch required for both sides

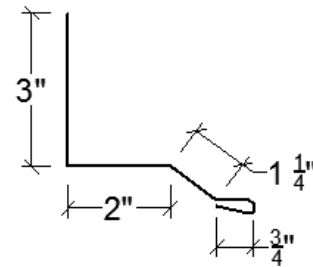


ENDWALL

roof pitch required

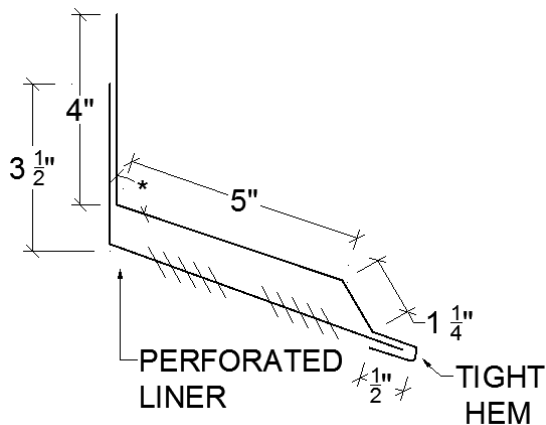


SIDEWALL



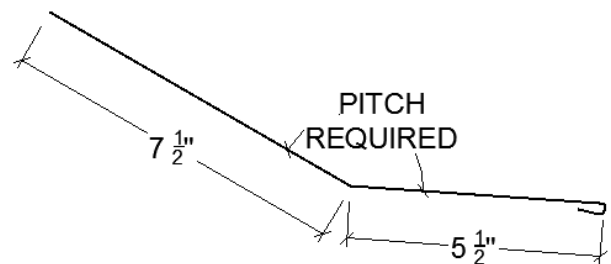
VENTED ENDWALL

* roof pitch required



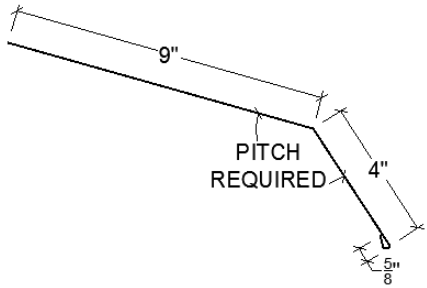
TRANSITION

high and low roof pitches required



EZ SNAP ROOFING PROFILES, 10'-1" LENGTH

GAMBREL
roof pitch required

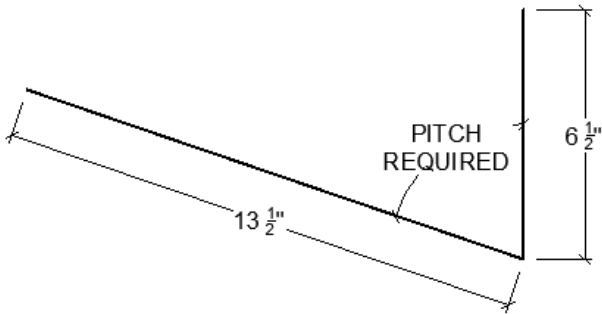


SNOW STOP

*There is not a snow stop
Magic Metals, Inc. recommends for
an EZ Snap roof installation.*

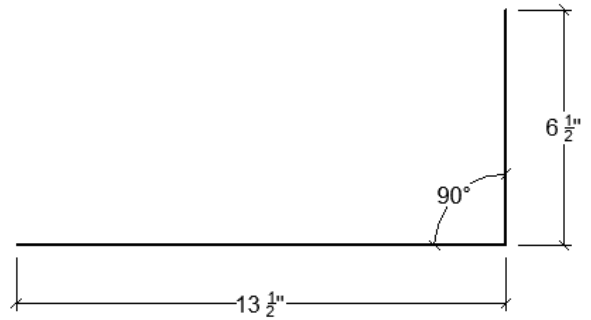
CHIMNEY FLASHING - Complete package only

UPHILL, roof pitch required

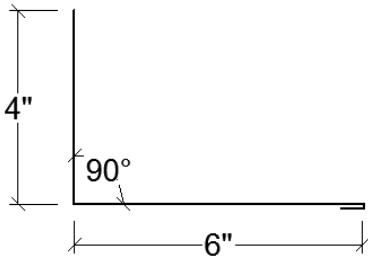


SKYLIGHT FLASHING - Complete package only

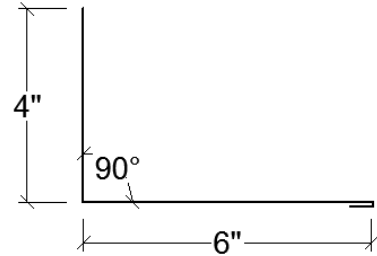
UPHILL



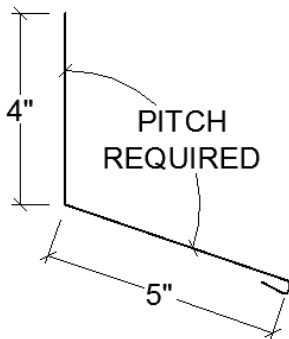
SIDEWALL, roof pitch required



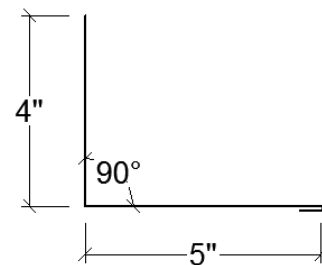
SIDEWALL



DOWNHILL, roof pitch required

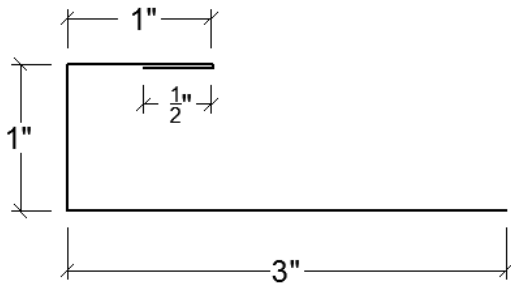


DOWNHILL

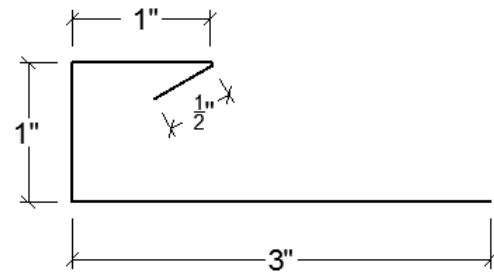


EZ SNAP ROOFING PROFILES, 10'-1" LENGTH

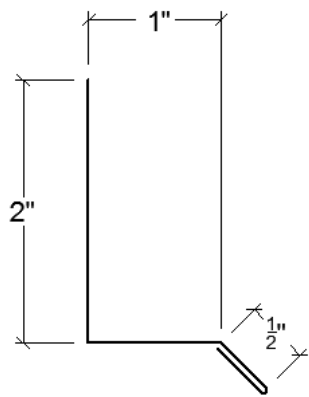
C CHANNEL, STANDARD



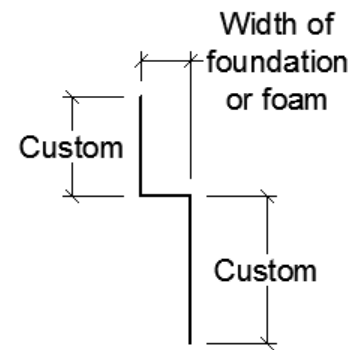
J CHANNEL, STANDARD



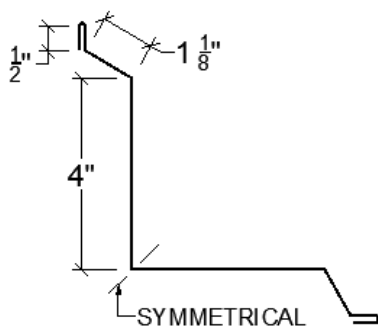
WINDOW BASE OR WALL TRANSITION



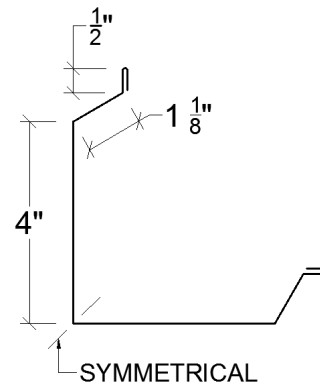
FOUNDATION FLASHING
Dimensions are usually custom



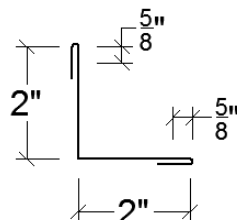
INSIDE CORNER 1, NORSTAR & HUSKY



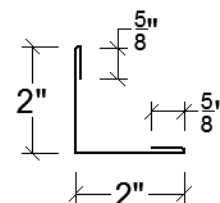
OUTSIDE CORNER 1, NORSTAR & HUSKY



INSIDE CORNER 2



OUTSIDE CORNER 2



MAGIC METALS INC. WILL FABRICATE CUSTOM ROOF AND WALL FLASHING BASED ON CUSTOMER SUPPLIED DIMENSIONS AND ANGLES/PITCHES.