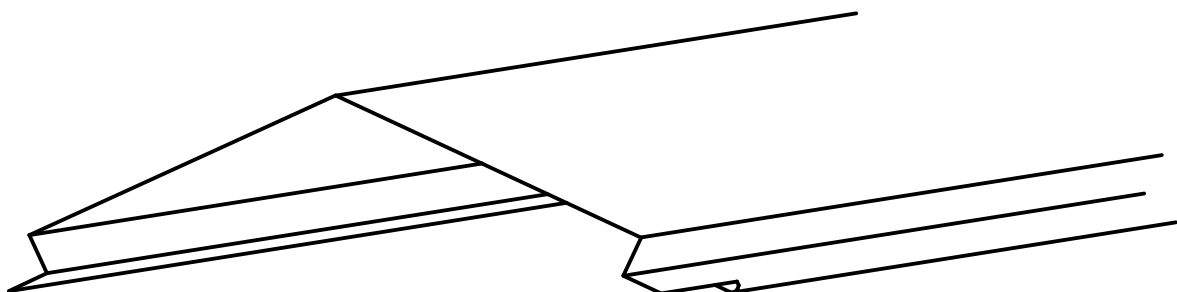
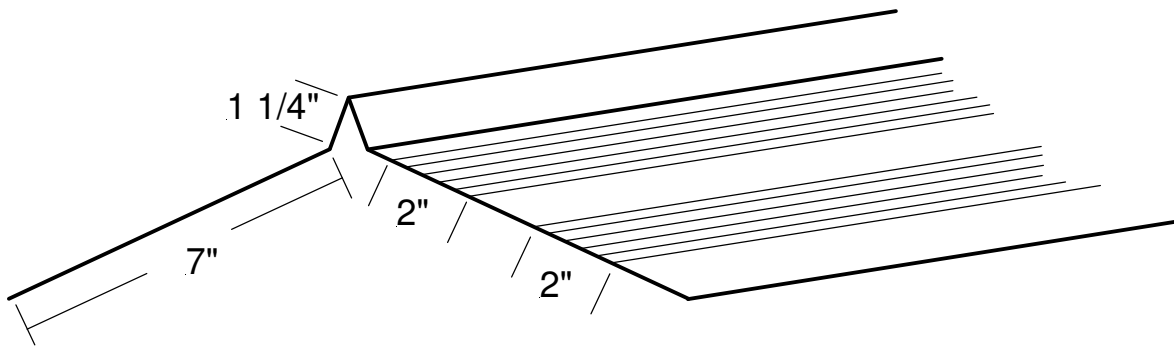
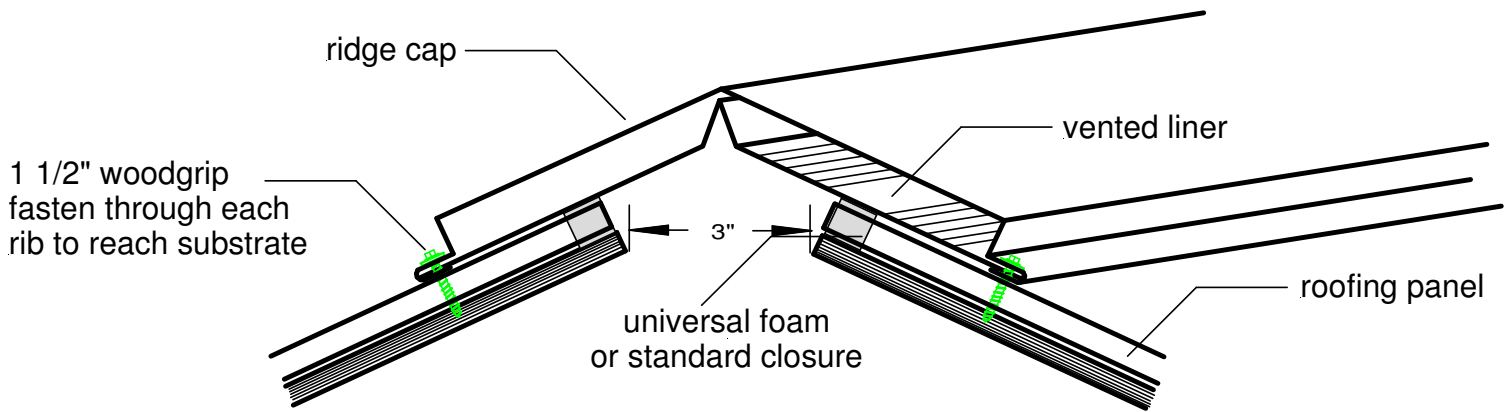


Residential Vented Ridge System

Vented ridge flashing allows air flow out the top of the roof for optimum air movement. Air movement (convection) is very important in maintaining a cold roof.



Trim hem back 2" for overlap
Do not overlap vented liners