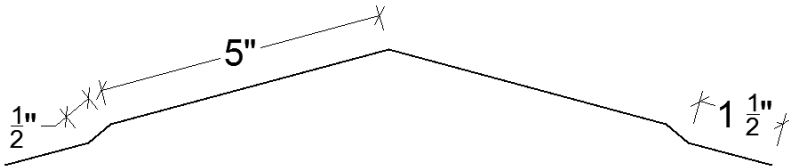
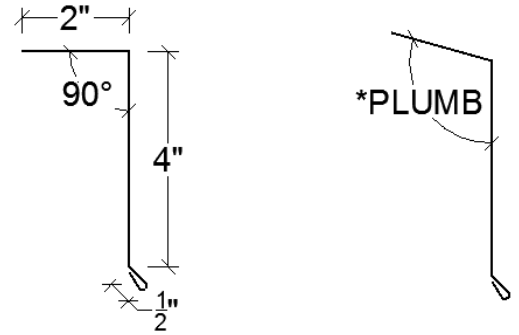


NORSTAR / HUSKY ROOFING PROFILES, 10'-1" LENGTH

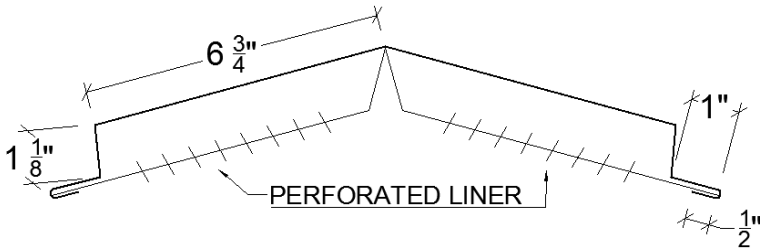
**RIDGE CAP**  
roof pitch required



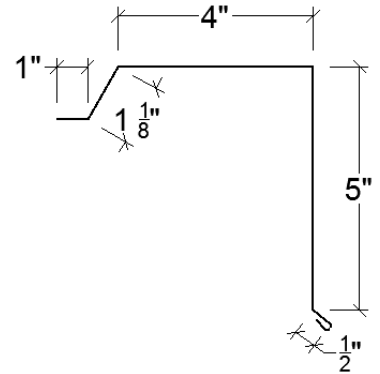
**EAVE**  
\* roof pitch required



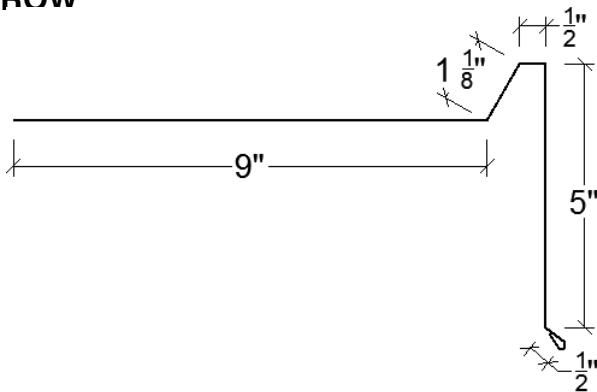
**VENTED RIDGE CAP**  
roof pitch required



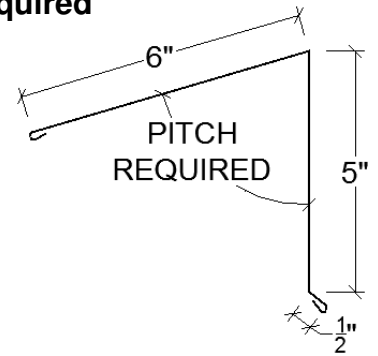
**GABLE**



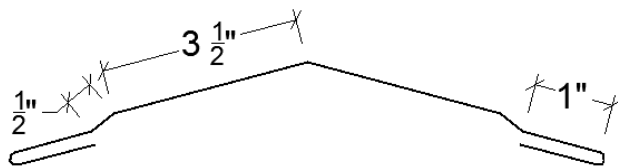
**PROW**



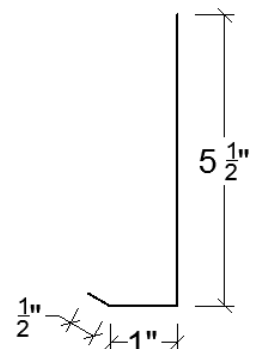
**NOSE**  
roof pitch required



**HIP**  
roof pitch required



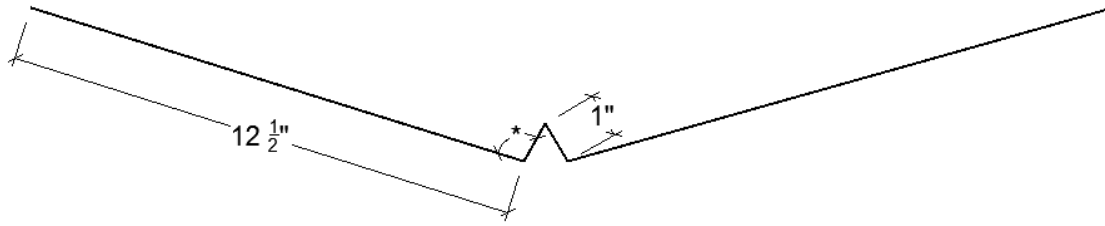
**LOWER FASCIA**



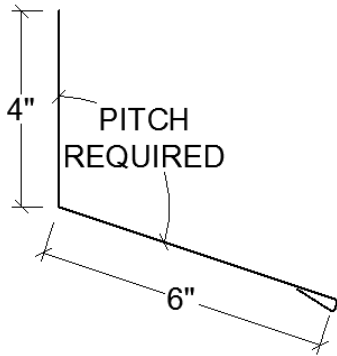
NORSTAR / HUSKY ROOFING PROFILES, 10'-1" LENGTH

**VALLEY**

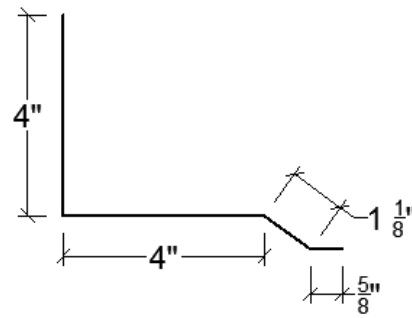
\* roof pitch required for both sides



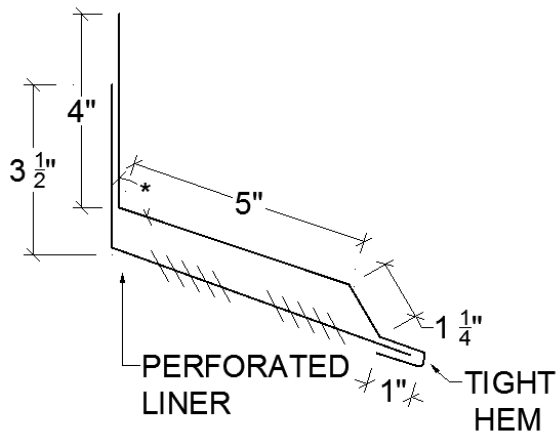
**ENDWALL**  
roof pitch required



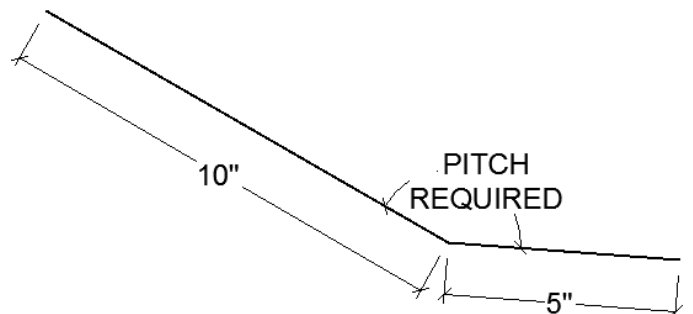
**SIDEWALL**



**VENTED ENDWALL**  
\* roof pitch required



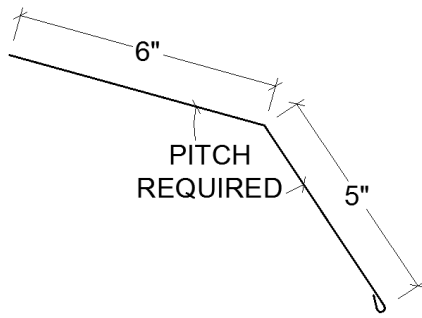
**TRANSITION**  
high and low roof pitches required



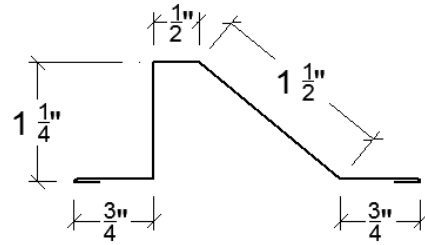
NORSTAR / HUSKY ROOFING PROFILES, 10'-1" LENGTH

**GAMBREL**

roof pitch required

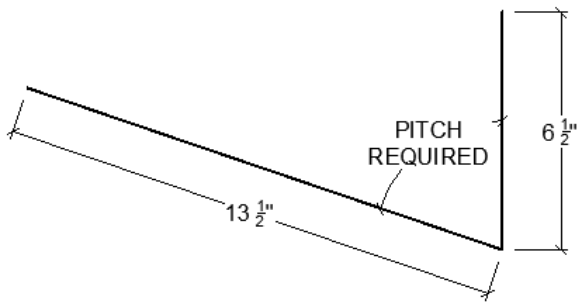


**SNOW STOP**



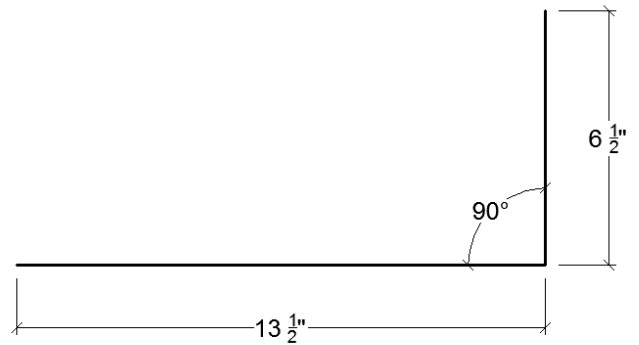
**CHIMNEY FLASHING - Complete package only**

UPHILL, roof pitch required

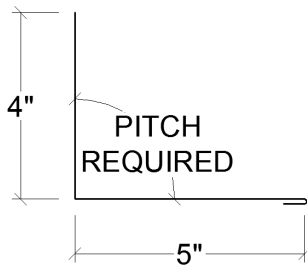


**SKYLIGHT FLASHING - Complete package only**

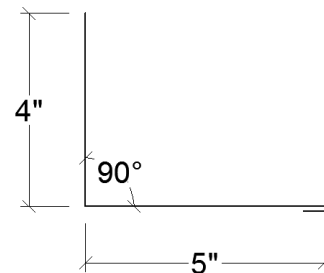
UPHILL



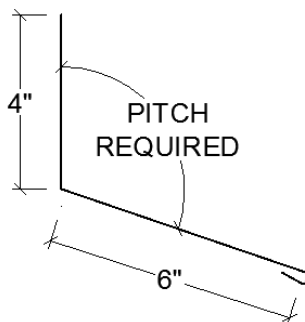
**SIDEWALL, roof pitch required**



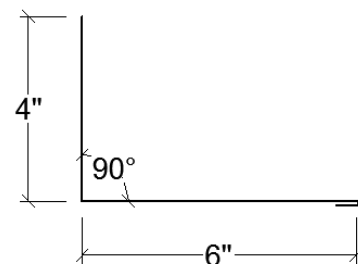
**SIDEWALL**



**DOWNHILL, roof pitch required**

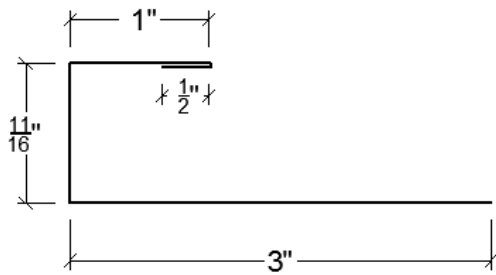


**DOWNHILL**

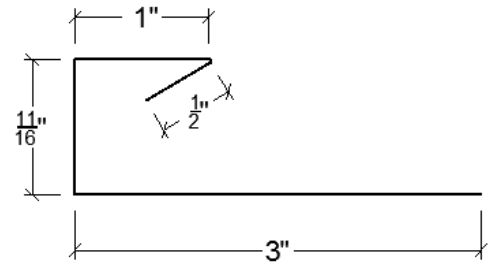


NORSTAR / HUSKY WALL PROFILES, 10'-1" LENGTHS

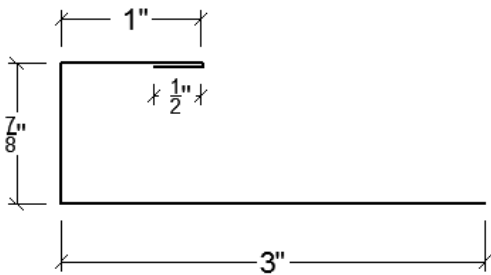
**C CHANNEL, NORSTAR**



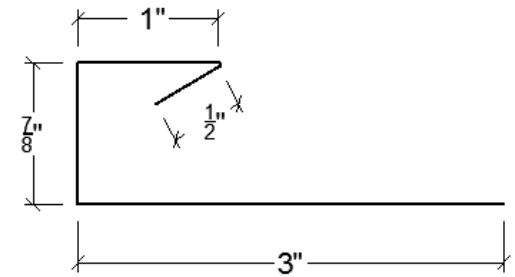
**J CHANNEL, NORSTAR**



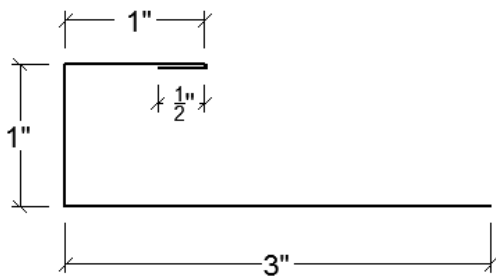
**C CHANNEL, HUSKY**



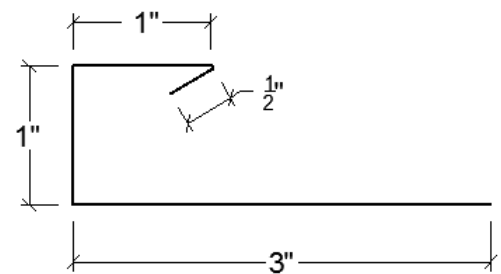
**J CHANNEL, HUSKY**



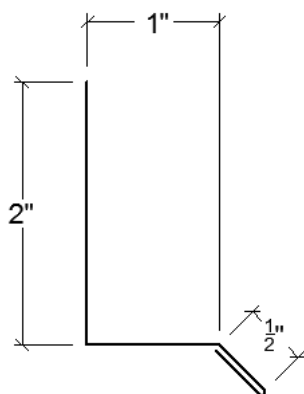
**C CHANNEL, STANDARD**



**J CHANNEL, STANDARD**

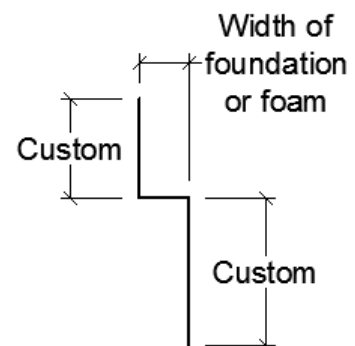


**WINDOW BASE OR WALL TRANSITION**



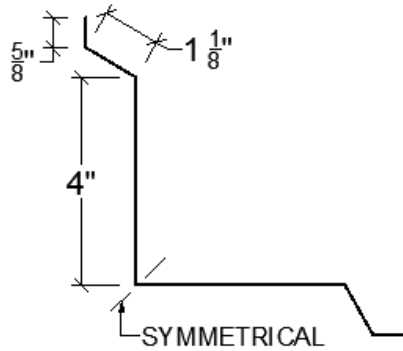
**FOUNDATION FLASHING**

Dimensions are usually custom

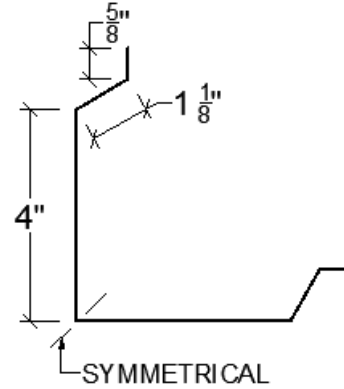


NORSTAR / HUSKY WALL PROFILES, 10'-1" LENGTHS

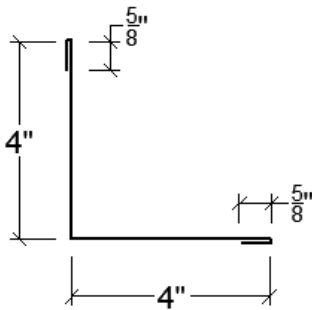
INSIDE CORNER 1, NORSTAR & HUSKY



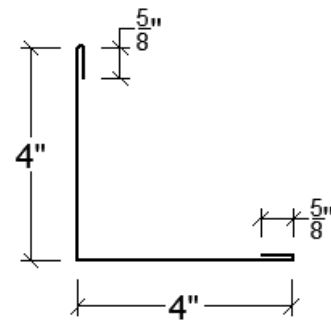
OUTSIDE CORNER 1, NORSTAR & HUSKY



INSIDE CORNER 2



OUTSIDE CORNER 2



**MAGIC METALS INC. WILL FABRICATE  
CUSTOM ROOF AND WALL FLASHING  
BASED ON CUSTOMER SUPPLIED  
DIMENSIONS AND ANGLES/PITCHES.**