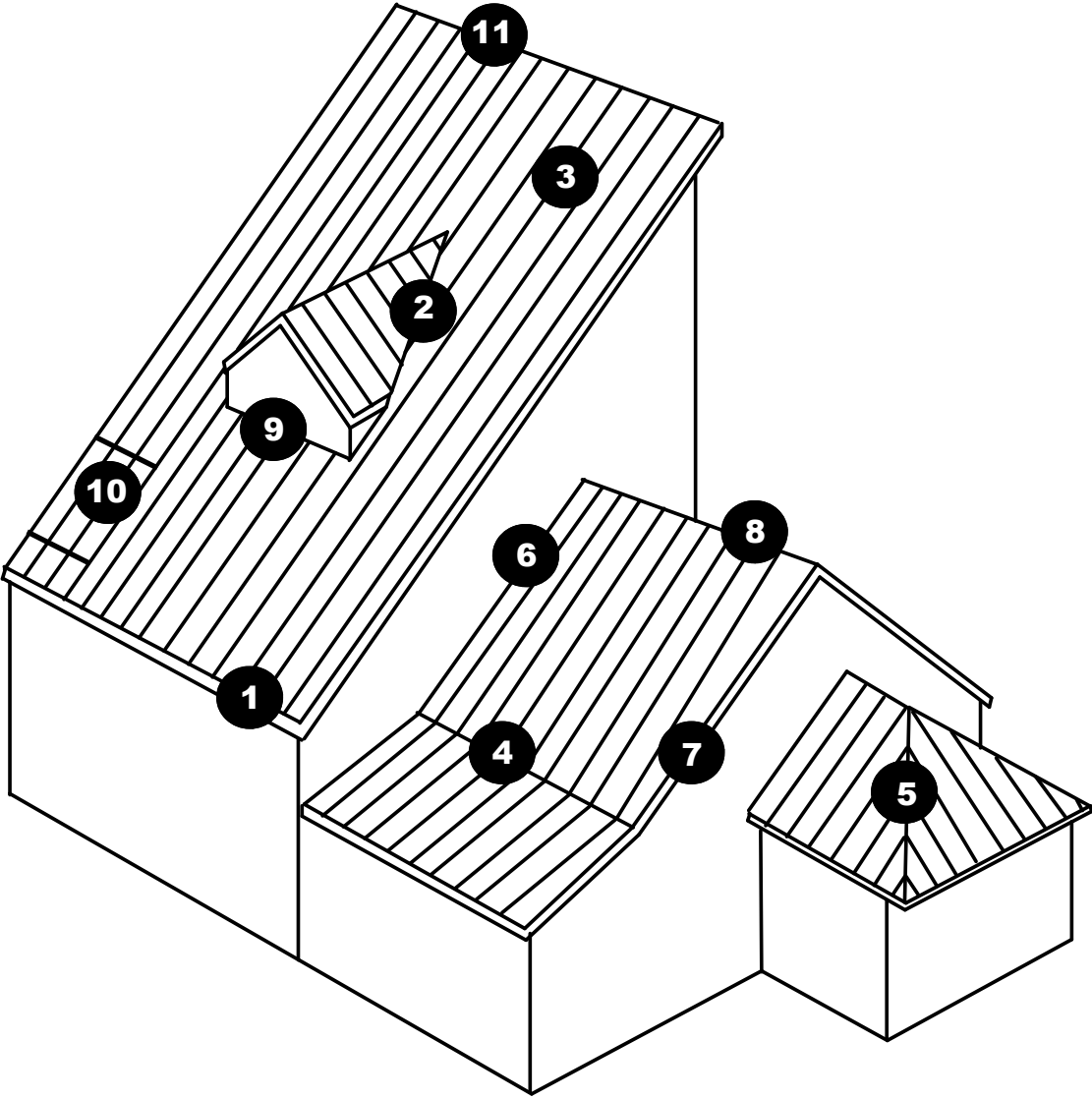


---

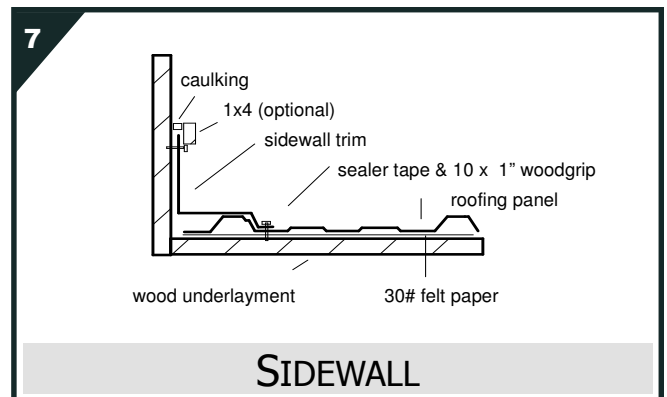
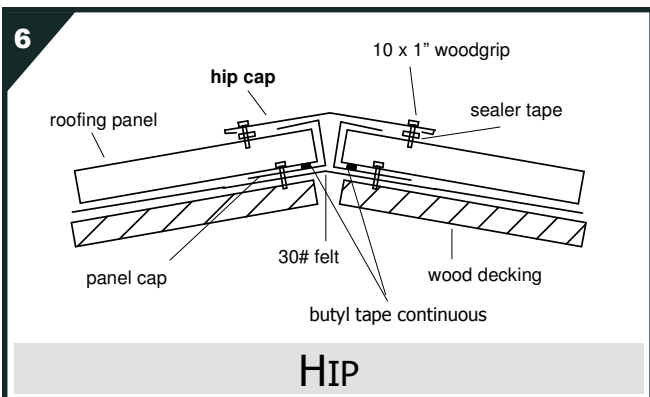
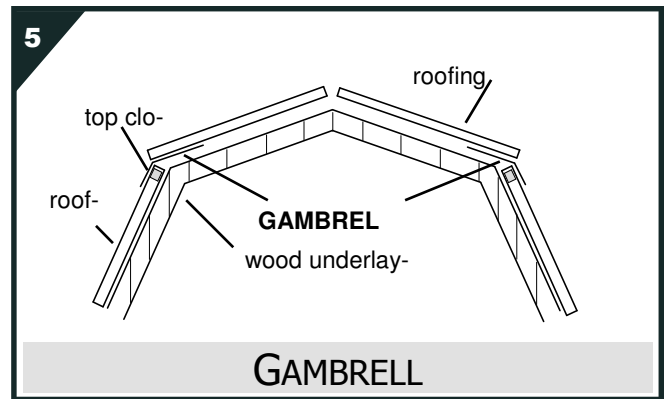
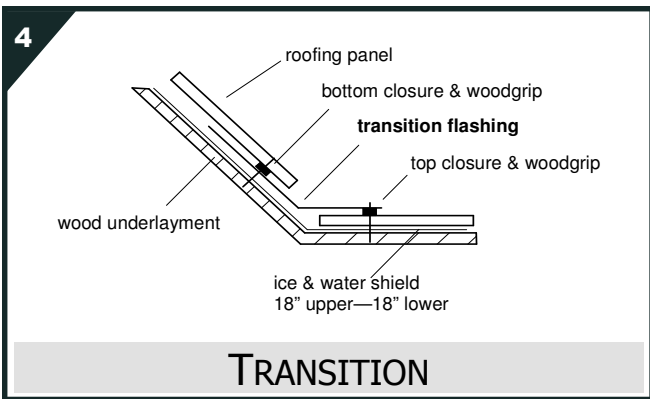
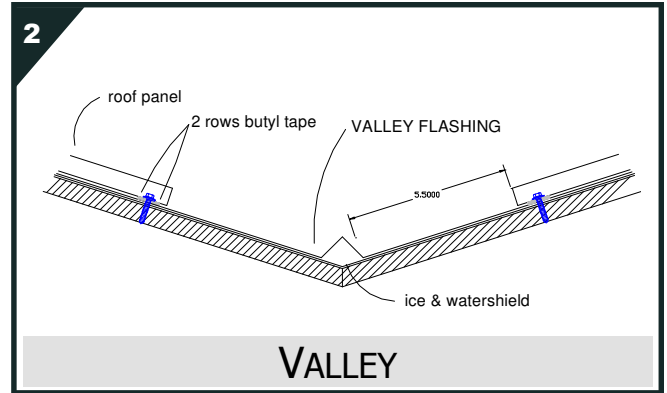
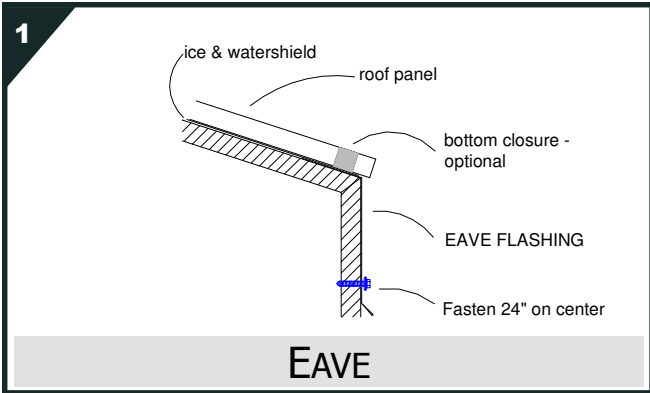
# **FLASHING DETAILS**

---

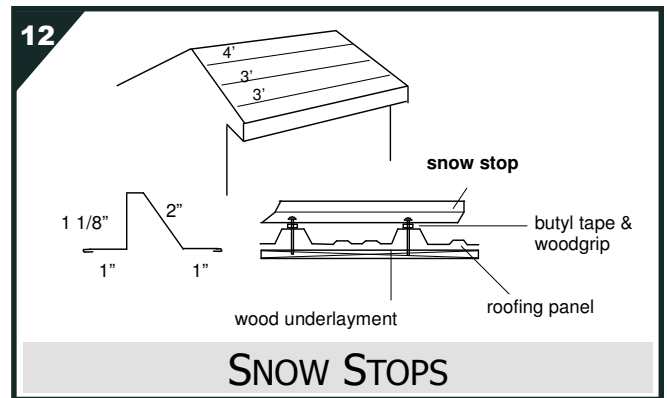
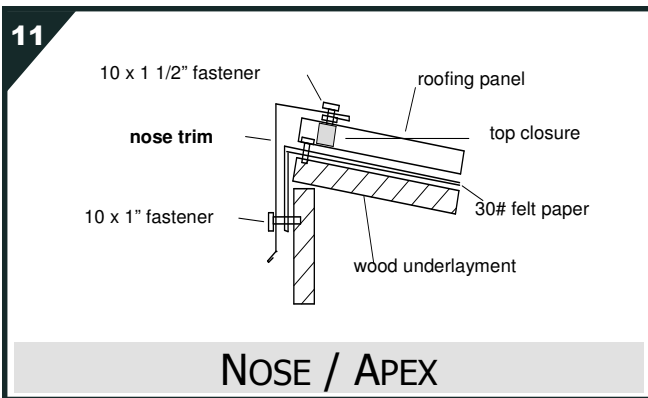
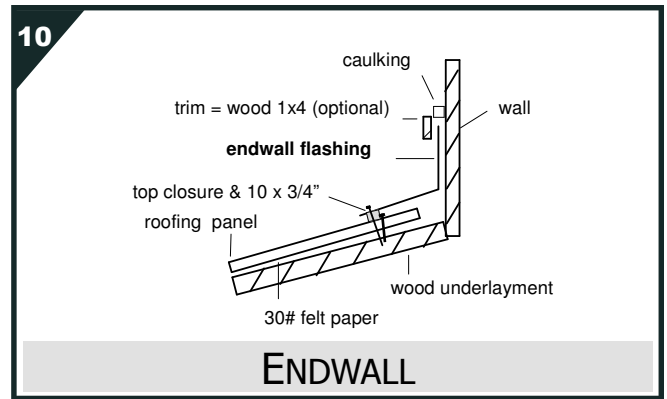
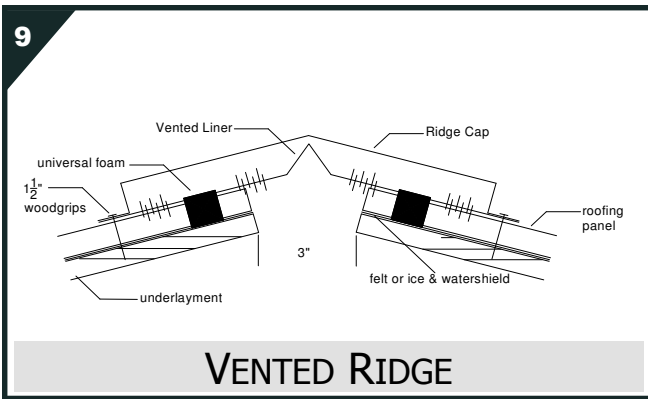
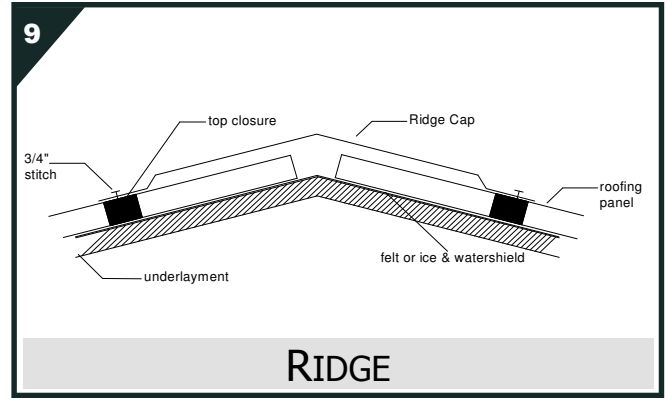
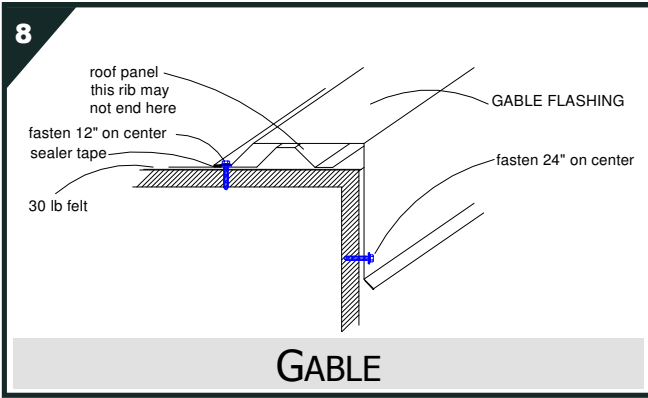
Trim items are listed in the order that they are installed  
Depending on roof configuration



- |               |             |                |
|---------------|-------------|----------------|
| 1. Eave       | 5. Hip      | 9. Endwall     |
| 2. Valley     | 6. Sidewall | 10. Snow Stops |
| 3. Panels     | 7. Gable    | 11. Nose       |
| 4. Transition | 8. Ridge    |                |



**NOTE:** Illustrations shown represent examples of trim details and designs. Actual details may vary according to geographic location and/or contractor preference.



**NOTE:** Illustrations shown represent examples of trim details and designs. Actual details may vary according to geographic location and/or contractor preference.