



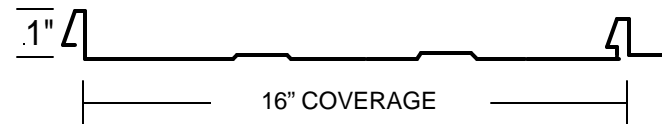
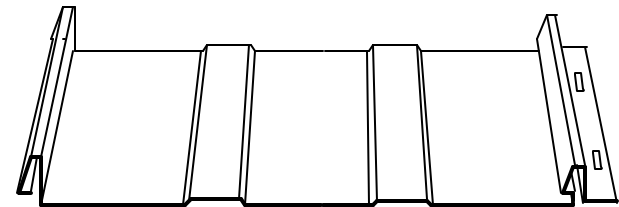
## Magic Metals, Inc.

5440 B Street  
Anchorage, AK 99518

(907) 561-7663  
(907) 561-7662 fax  
info@magicmetalsinc.com  
www.magicmetalsinc.com

# EZSNAP PROFILE INSTALLATION GUIDE

Standing Seam—Concealed Fastener



Available in these standard colors:

- Dark Grey
- Forest Green
- Weathered Copper
- Ocean Blue

## Frequently Asked Questions

### **Is skip sheeting acceptable or should I have solid sheeting?**

If the structure is a cabin, then skip sheeting is ok. In a full time home, there should be OSB or CDX underlayment installed.

### **How do I figure the pitch for my roof?**

Pitch is the amount (x) in inches that the roof rises every 12". It is then displayed as x/12.

### **What is the minimum pitch for a metal roof?**

1/4 / 12 for standing seam  
3/12 for EZSnap and exposed fastener

### **What spacing should I use for screwing down my roofing?**

24" on center next to each high rib and 12" on center on laps and gables.

### **Should I run 1" x 4" over composition shingles, then install metal?**

This is not recommended. The metal needs to be in contact with slip sheet (felt or ice & water shield) to prevent ice build up at dew point

Installing felt over shingles is recommended, then metal over felt.

### **What is so magic about Magic Metals?**

Long story, but happy ending

**Have additional questions or need a few more pointers?**

**Visit us on the web!**

**[www.magicmetalsinc.com](http://www.magicmetalsinc.com)**

## Frequently Asked Questions

### How long will it last?

Your metal roof will last the life of the structure

### Can I do this myself?

Yes! 60% of our sales are installed by homeowners.

### Is a metal roof noisy in the rain?

No, it is not. Insulation and sheeting absorb any sound.

### What do I need under the metal?

For full sheeting, use O.S.B. or CDX, then put 2 runs of ice & water shield at the eave then run felt for balance of roof.

If skip sheeting is used (not recommended), run 30# felt the same direction as sheeting. Apply the felt as you lay the sheets. This will help so that at dew point, frost does not accumulate on the underside of the metal.

### How much ice and water shield is needed?

Amount required by building code—3' inside heated wall line at eaves and 3' each side of valleys.

### What kind of screw gun do I need to use?

Use a screw gun with a clutch. Adjust so fasteners do not spin out. Please see "Fastener Guidelines" for proper installation.

### Why should I use sealer tape on my roof?

Very cheap insurance against capillary action—believe it or not water will run uphill.

### What is the difference between plumb eave and 90 degree eave?

Plumb

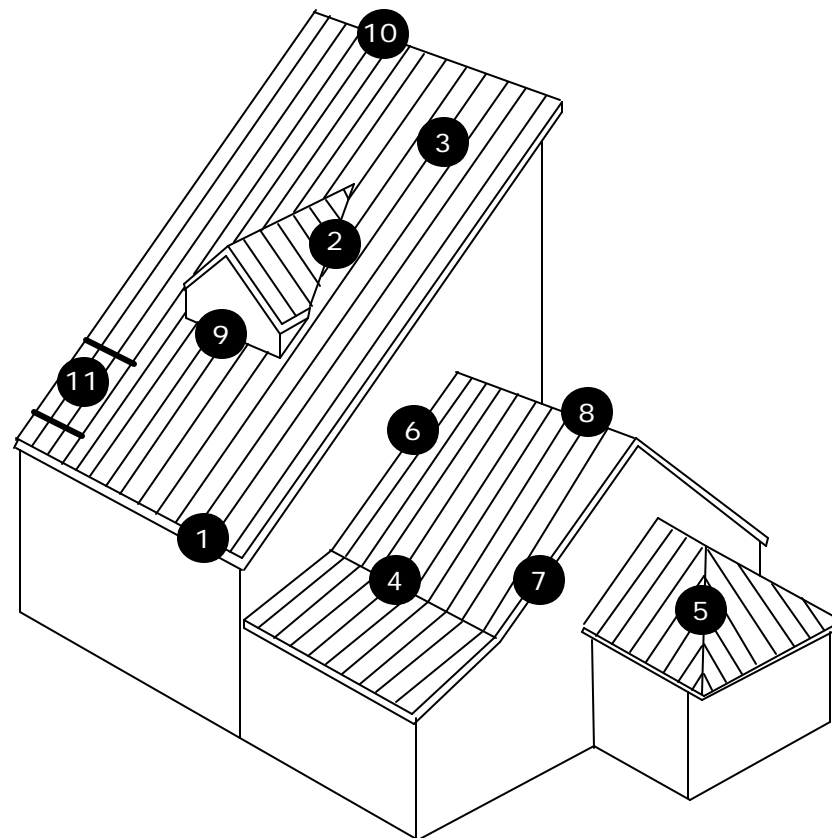


90 Degree



## Trim Applications

Trim items are listed in the order that they are installed

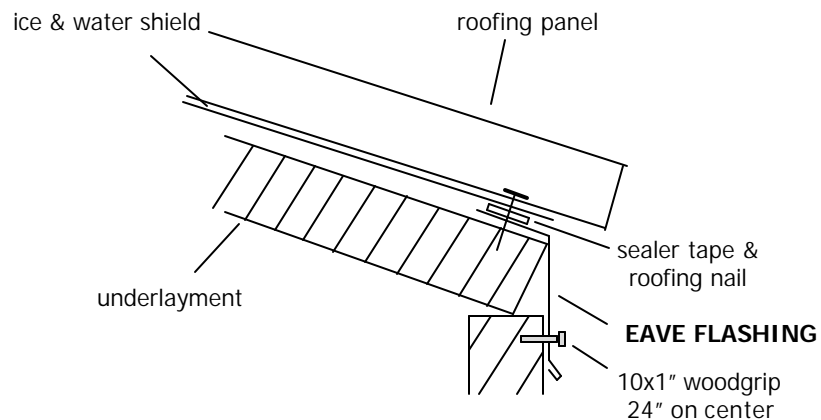


- |               |             |                |
|---------------|-------------|----------------|
| 1. Eave       | 5. Hip      | 9. Endwall     |
| 2. Valley     | 6. Sidewall | 10. Nose       |
| 3. Panels     | 7. Gable    | 11. Snow stops |
| 4. Transition | 8. Ridge    |                |

## Eave Flashing

Eave flashing is applied along the lower edge of the roof. Standard eave trim does not cover the fascia board. A second piece is available (lower fascia wrap).

1. Start eave flashing on opposite end line of sight.
2. Attach eave flashing using roofing nails.
3. Lap the flashing a minimum of 2".
4. Panels should overhang the eave 1".



## Specifications

### Paint System

- Standard colors are available on 26 gauge steel, custom colors are available upon request.
- Akzo Nobel Coatings, Inc.
- An Advanced silicone modified polyester coating created from field proven combinations of proprietary resin technology and long lasting, color-fast ceramic pigments delivering a unique combination of quality and value in a high durability finish.

### Warranty

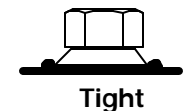
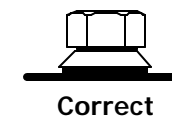
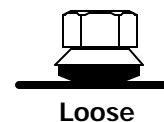
25 year limited warranty available at time of purchase

### Roof Specifications

- EZSnap Panel is a concealed fastener panel that covers 16".
- EZSnap panels must be installed over a solid sheeted underlayment.
- Maximum panel length is 25' unless run on site.
- Roofing nails are required but are not furnished by Magic Metals.
- It is recommended that the EZSnap panel be applied on a roof with a minimum pitch of 3/12

### Fastener Guidelines

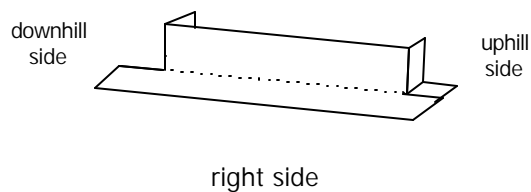
Screws need to be properly driven to ensure proper seal and holding strength. Sealing material slightly visible at edge of metal washer. Assembly is weather tight.



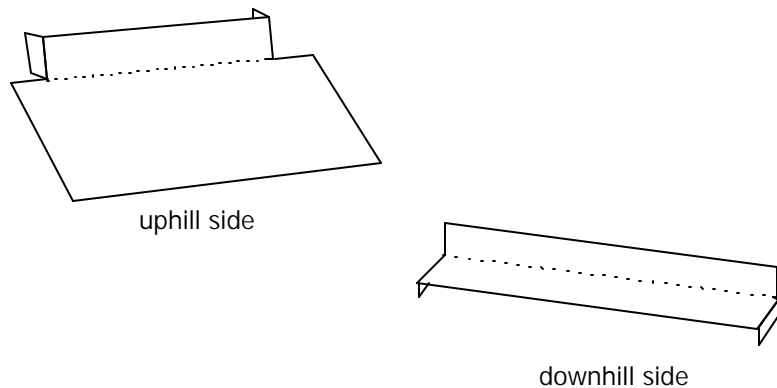
## Skylight / Chimney Kit

### Flashing Preparation

- Trim and bend the right side flashing as indicated. Trim the left side in a similar fashion. (keep in mind the uphill from the downhill ends).



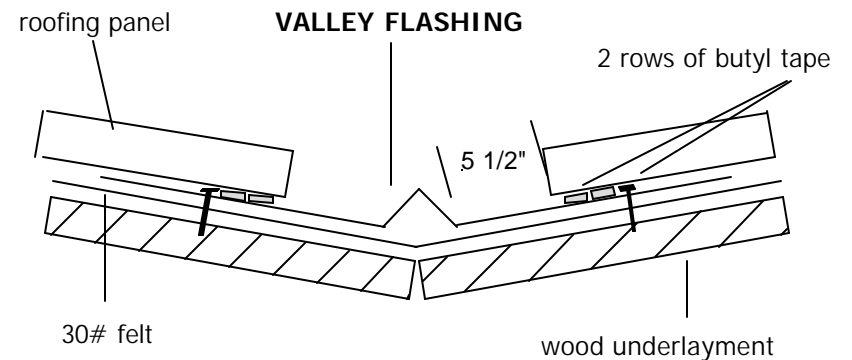
- Trim both ends of the uphill and downhill sides of the flashing.
- Slide the uphill flashing into the slots of the roofing and apply a liberal amount of gunable caulking.
- Assemble the skylight/chimney kit.



## Valley Flashing

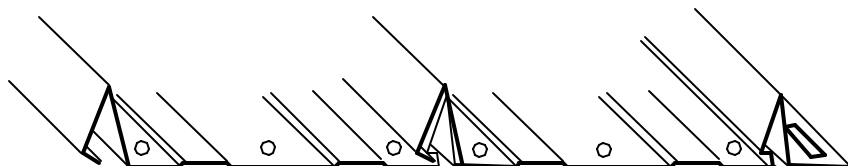
Valley flashing is applied where two adjacent roof lines join to create a means for water and snow evacuation.

- Always lay 3' of ice & water shield on each side of valley. Lap 12".
- Starting at the low end trim and place the valley flashing so it overhangs the eaves 1".
- Tape and lap subsequent flashings a minimum of 8". Cut ice & water shield into 6" strips and tape valley down on sides.
- Parallel to the valley place two rows of butyl tape.
- Field cut the panels holding 5 1/2" back from the valley as shown.
- Attach the panels to the roof and 'thru fasten' along the bottom end, making sure fasteners are behind rows of butyl tape, using 1" woodgrips w/washer evenly spaced and at 8" up from the valley so they align between the first and second row of tape sealant.



## Roofing Panel

1. Start by laying the "female" edge of the first panel 1/2" away from the gable. Allow panel to overhang the eave by 1".
2. Check the uphill end of the panel. If panel length is correct the panel should be 1" down from the edge of the plywood.
3. When the first panel is properly aligned, apply and fasten gable end. Next, fasten the panel along the male edge nail strip with 1" truss head screws at 12" on center.
4. Align the second panel female edge with the first panel male edge. Make sure the panels are consistent along the eave.
5. Snap the panels together at the seam with light foot pressure. Work the seam together from the eave end toward the ridge. DO NOT work the seam from both the ends towards the middle.
6. After locking the panel seam fasten the panel to the roof utilizing the nail leg along the male edge.
7. Fasten the panels along the eave with a 10 x 1" woodgrip fastener located along a straight line parallel to the eave and two to three inches up from the bottom edge of the panel. The fasteners should be evenly spaced.

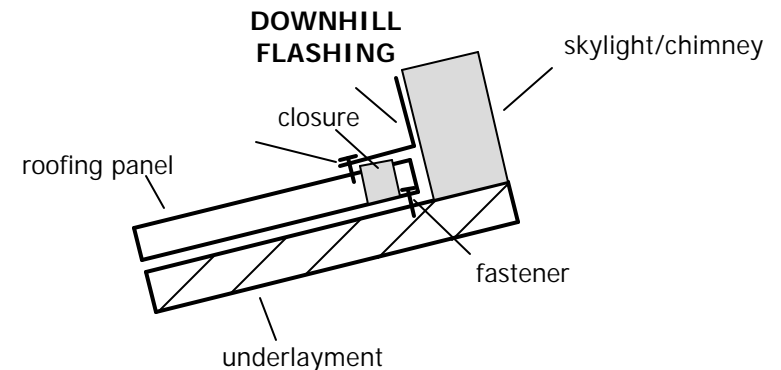
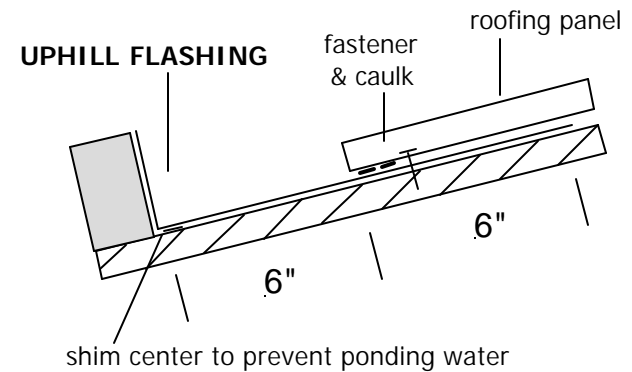


Wind direction

Always lap away from prevailing wind

## Skylight / Chimney Kit

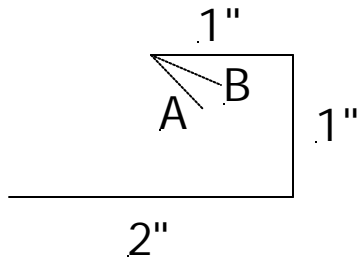
- Whenever possible position the skylight/chimney curb so the ribs of the roof panels do not interfere with the flashing
- Cut the skyline roof panels as close to the left, right and downhill sides of the curb as possible. Cut the uphill side 6" from the curb.
- Do not fasten down the panels a minimum of 24" uphill from the skylight.
- The flashing will be 4" wider than the width of the curb (2" on each side). Cut a 1/8" slot in the two uphill corners of the roof panels slightly wider than 2" so the uphill flashing can slide through the two slots.



## C Channel / Dektite

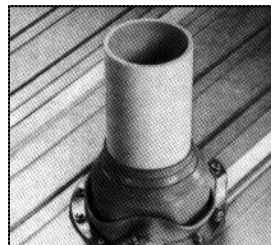
### C Channel

C channel is used to trim openings for windows, doors and vents. Application varies depending on application. The drawing shows general use.



### Dektite

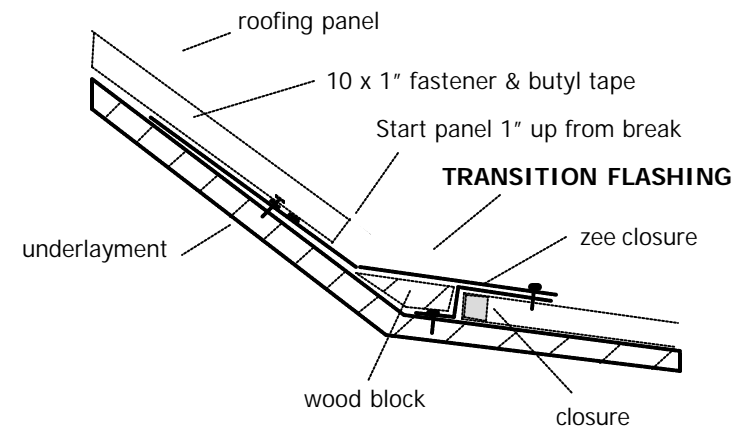
1. Trim the opening on the dektite to 20% smaller than the pipe diameter.
2. Slide dektite down over pipe.
3. Seal between the dektite and the roofing with gunnable caulk and set the dektite.
4. Form the dektite to fit the profile of the roof.
5. Fasten the dektite with #10-1" woodgrips at 1" on center.



## Transition Flashing

Transition flashing is applied between two differing roof slopes on the same roof line to seal the area between the pitch change.

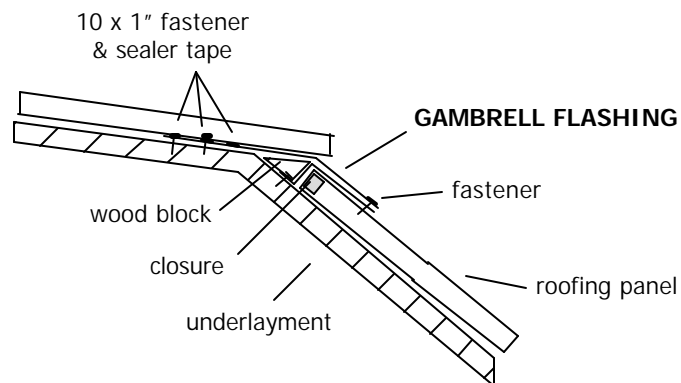
1. Tape the bottom and sides of the closure, set the closure as shown and tape the top.
2. Fasten the transition flashing with roofing nails at 2 places.
3. Fasten the flashing to the rib with stitch screws at 12" on center and tape top.
4. Caulk and lap the flashing a minimum of 4".
5. Parallel to the transition place two rows of butyl tape 2" apart.
6. Attach the uphill panels as shown.
7. Install wood backing as needed for support.



## Gambrel Flashing

Gambrel flashing is applied between a pitch change on a gambrel or barn style roof.

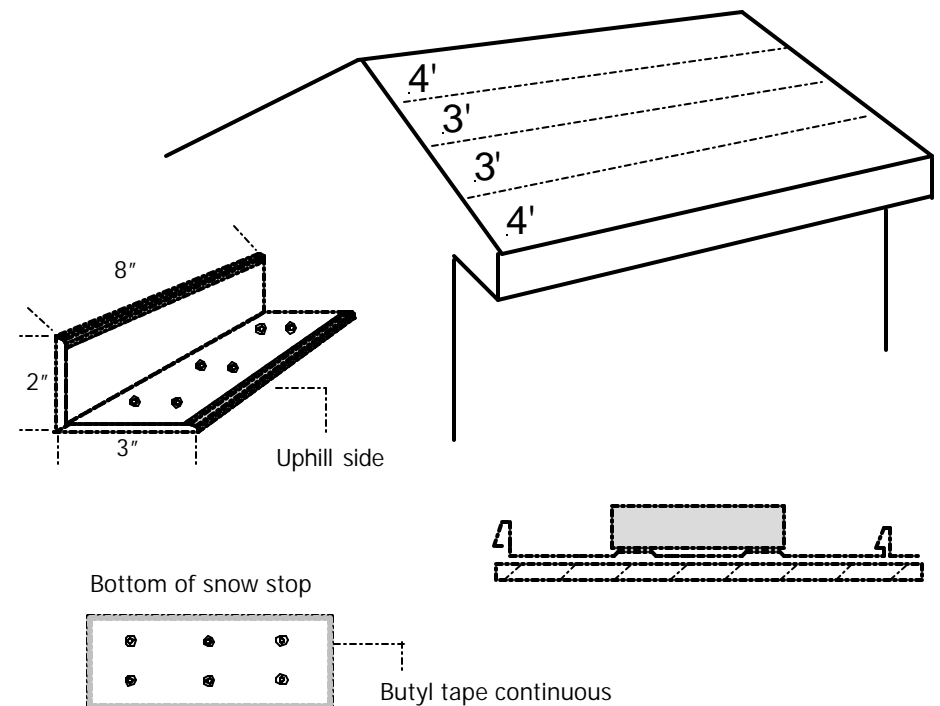
1. Tape the bottom, top and sides of the closure, set the closure as shown.
2. Fasten the transition flashing with roofing nails, 18" from each end and center.
3. Fasten the flashing to the rib with lap fastening screws at 12" on center.
4. Use tape and lap the flashing a minimum 4".
5. Parallel to the transition place two rows of 1" tape sealant as shown.
6. Install wood blocking as needed for support.
7. Attach the uphill panels with a 1" overhang.
8. Then fasten through panel between 2 rows of sealer tape.



## Snow Stops

Snow stops are applied to prevent shedding of snow from a specific area on your roof.

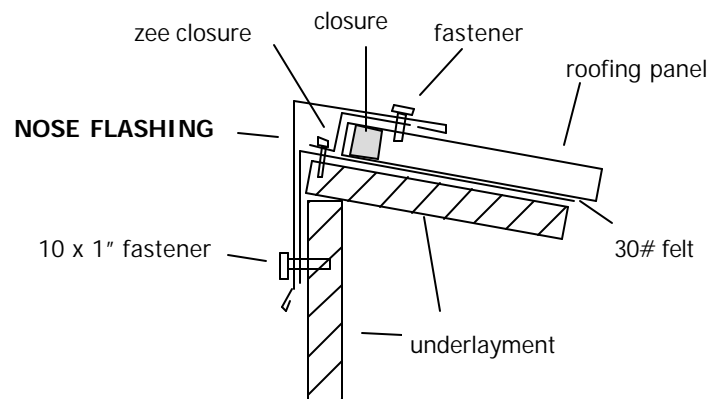
1. Determine the length of the area needing snow stops. Deduct 8' from the length (eave and ridge measurements), then divide the measurement by 3'. You will be placing the snow stops up the roof line every 3', perpendicular to eave.
2. The snow stop is applied to the pan between the high ribs.
3. Place a continuous row of butyl tape on under side of snow stop around the perimeter.
4. Fasten the bottom side of snow stop with 1" woodgrips. The woodgrips will fasten through the metal into the wood underlayment. Use six #14 x 1" for OSB.



## Nose Flashing

Nose/Apex flashing is applied to the peak of a single slope roof. It is custom made to match the slope/pitch of the roof.

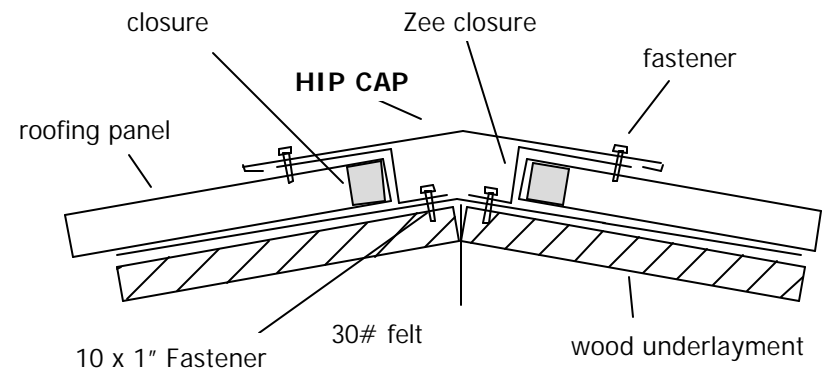
1. Attach panels 1" down from the peak.
2. Tape the bottom and sides of the closure, set the closure as shown and tape the top.
3. Attach the zee closure as shown and tape the top.
4. On face, fasten the peak flashing with woodscrews at 24" on center, 1/2" up from drip edge.
5. Fasten the flashing to the zee with stitch screws at 12" on center.
6. Tape and lap the succeeding flashings a minimum of 4".



## Hip Flashing

Hip flashing is applied along the sides of two adjacent roof lines. It covers the exposed sides to prevent leakage. There are two types of hip roofs. One comes to an apex, similar to a ridge. The other has a flat top and is called a Dutch hip.

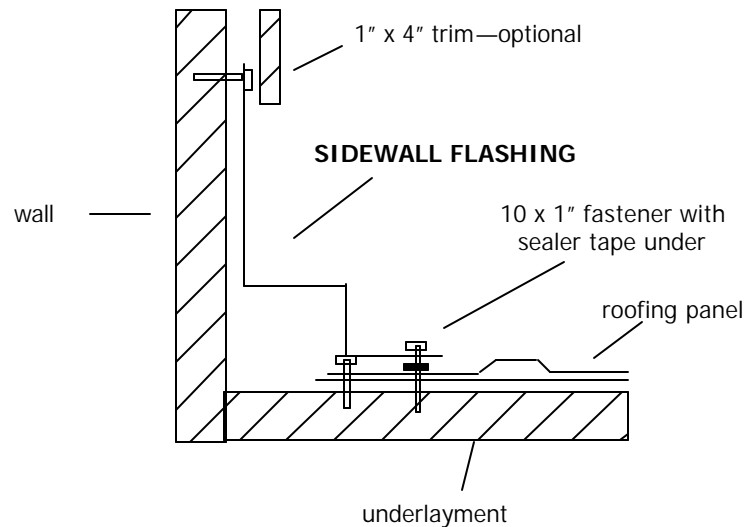
1. Attach panels 1" down from the hip. Fold over at eave.
2. Tape the bottom and sides of the closure, set the closure as shown above and tape the top.
3. Attach the C Channel 1" down and parallel to the hip and tape the top.
4. Fasten the hip cap to the zee using stitch screws at 12" on center.
5. Tape, lap 4" and rivet sequential flashings.



## Sidewall Flashing

Sidewall flashing is applied to the panel side that runs along a wall. Its purpose is to prevent leakage between roof and wall.

1. The roof is applied prior to installing sidewall.
2. Place tape along the sidewall flashings flange as shown.
3. Install the sidewall flashing on the roofing panel and fastening with 10 x 1" woodgrips 16" on center.
4. Caulk and lap the flashing a minimum of 4".

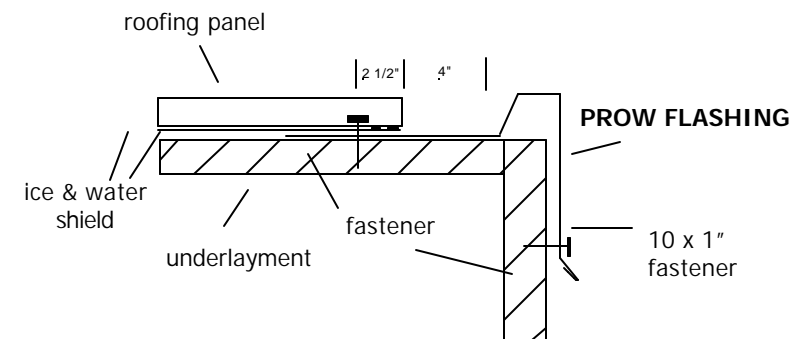


## Prow Flashing

Prow flashing is applied along the sloped edge of the roof in place of gable trim. A prow is a sloped edge of a roof with the ridge extending out further than the eave. Also called a chalet roof.

1. Attach the prow flashing, before the roof panels, using roofing nails 3 per 10' section.
2. Fasten face 1/2" up and 24" on center.
3. Double tape and lap the flashing a minimum of 6".
4. Apply 3' wide ice & water shield over flashing as shown.
5. Parallel to the face of the flashing place two rows of butyl tape 2" apart.
6. Field cut the panels holding 4" back from the back of the flashing as shown.
7. Attach the panels to the roof and 'thru fasten' along the bottom edge spaced at 4" on center and at approximately 6 1/2" in from the face of the flashing so they are behind the first and second rows of butyl tape.

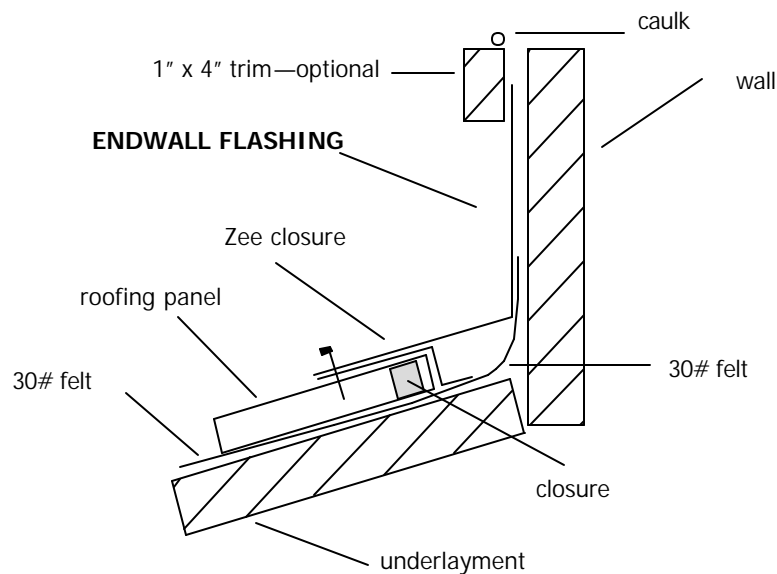
Note: We recommend eave be used in this area with roofing overhang 1" - same as eave.



## Endwall Flashing

Endwall flashing is applied along the end of the roofing panel to seal the area where the roof and a wall join.

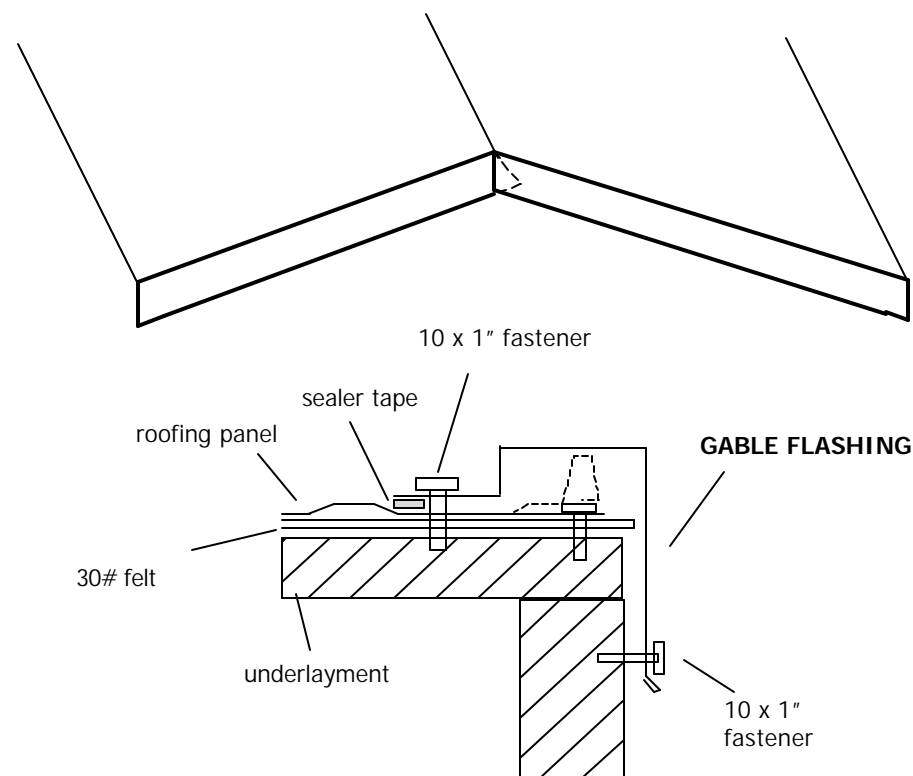
1. Tape the bottom and sides of the closure, set the closure as shown above and tape the top.
2. Attach the panels 1" down from the endwall.
3. Fasten the endwall flashing with roofing nails to hold in place at wall.
4. Fasten the flashing to the rib with #12 x 3/4" stitch screws at 12" on center.
5. Lap and tape the succeeding flashings a minimum of 3".



## Gable Flashing

Gable flashing is applied to finish sloped ends (gable or rake) of your roof and is applied over roofing panels.

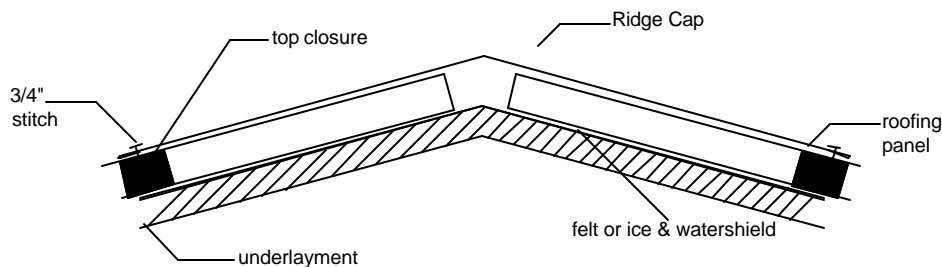
1. Start Gable—Place tape sealant under the gable flange as shown.
2. Install the gable flashing by placing it over the rib and fasten using 1" woodgrips at 16" on center.
3. Caulk and lap the flashing a minimum of 3".
4. Miter cut one side only at the peak.
5. Snip and fold the gable at the eave to close the end, use rivets to fasten (optional).



## Ridge Flashing

Ridge flashing is applied to peak of gable roof. It is the last piece of flashing applied. Make sure you are secured by a safety line before installing.

1. Attach panels 1" down from the ridge. Check the overhang at the eave.
2. Caulk the bottom and sides of the closure, set the closure as shown and caulk the top.
3. Attach the zee closure 1" down and parallel to the ridge.
4. Fasten the ridge cap to the zee using #10 x 3/4" stitch screws at 12" on center.
5. Caulk, lap and rivet sequential flashings.



## Vented Ridge Flashing

Vented ridge flashing allows air flow out the top of the roof for optimum air movement. Air movement (convection) is very important in maintaining a cold roof.

1. Plywood should be cut back 1 1/2" from each side of the ridge.
2. Install perforated liner. Proper installation places two inside perforated sections above ventilated area. Peel off strip and place top closure between the perforated sections on each side.
3. Tape the top of the closure.
4. Place liner with universal foam closure in place on roof and screw in place on each corner. No need to overlap liner. Butt up to each other.
5. Install ridge cap over liner fastening through ridge, liner and panel through to underlayment using 1 1/2" woodgrips
6. Tape, lap 4" and rivet sequential flashings.
7. Perforated liner is not functional on overhangs. Seal bottom with profiled closure.
8. Close the ends of the ridge cap with an end cap fastened with rivets (the end cap is supplied).

